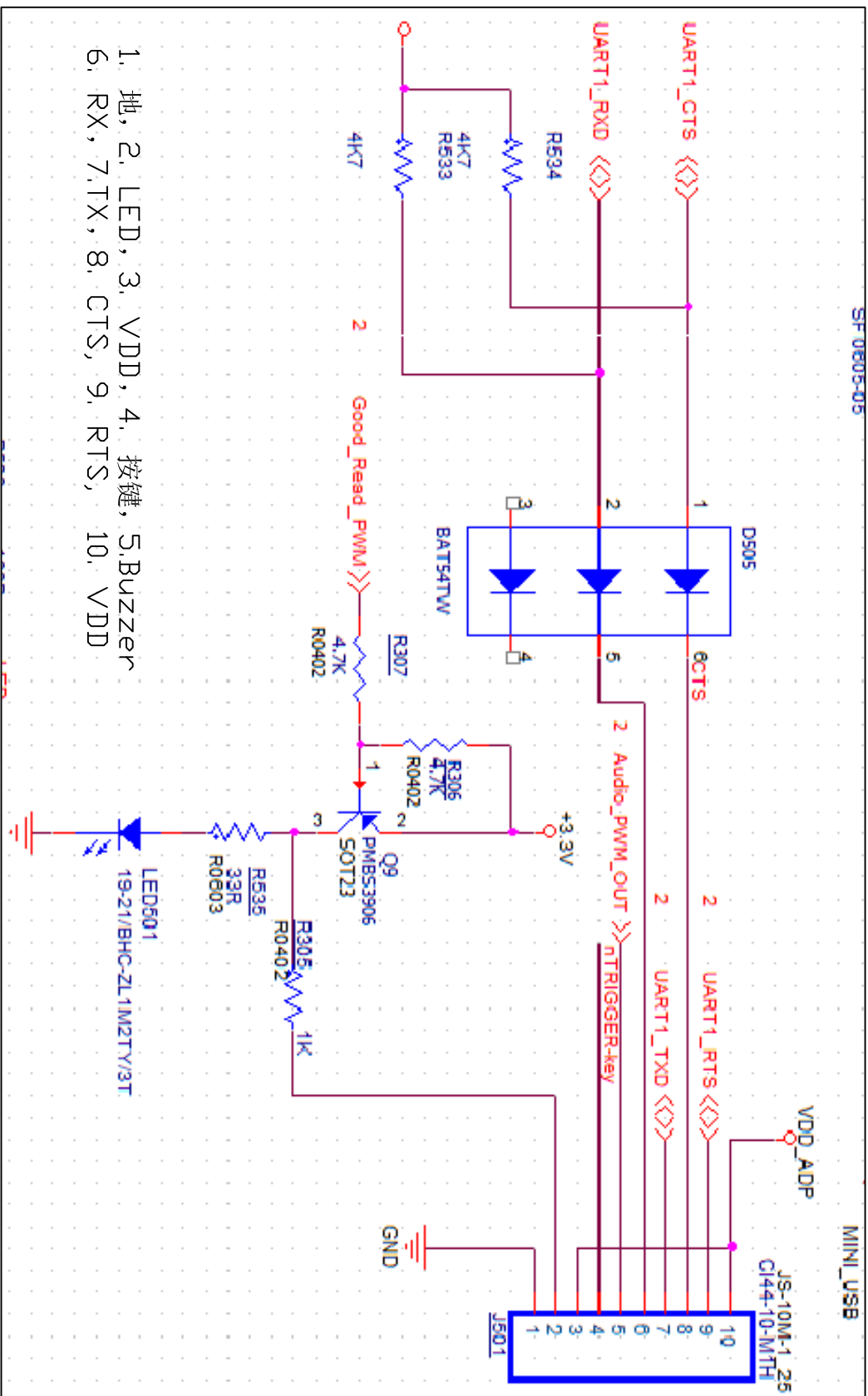


MXN Part Number		MXN Part Name		MX20-01外形尺寸		Page		1/2	
NORMAL OR STANDARD TOLERANCE (±)				PART NO.		MATERIAL		赫盛光电 (上海) 有限公司 Mexxen Technology (Shanghai) Inc www.mexxen.com	
•	▽	< 5	0.1	0.1	0.1	0.1	0.2	DATE	18 03 12
•	▽	5	≡	< 2.0	0.1	0.1	0.2	APPROVED	CHECKED
•	▽	2.0	≡	< 6.0	0.1	0.2	0.3	DESIGNED	DRAWN
•	▽	6.0	≡	< 2.50	0.2	0.3	0.5	FINISH	
•	▽	2.50	≡	0.3	0.5	0.8	1.0	THICKNESS	
•	▽	ANGLE	± 1°	HOLE POSITION		±		DIMENSIONS IN THIS DRAWING INCLUDE THE THICKNESS OF THE FINISH	
DATE	MARKING	NOTE	REV. NO.	REVISED					



MXN Part Number	MX20-01接口定义图		Page	2/2
MXN Part Name	NORMAL OR STANDARD TOLERANCE (+)			

DATE	MARKING	NOTE	REV. NO.	REVISED	ANGLE	HOLE POSITION	P A R T N O .		MATERIAL		FINISH		DIMENSIONS IN THIS DRAWING INCLUDE THE THICKNESS OF THE FINISH	
••	—▽							Year	Month	Day	APPROVED	CHECKED	DESIGNED	DRAWN
••	—▽							18	03	12				
••	—▽							6.0	≡	< 2.50	0.2	0.3	0.5	0.8
••	—▽							2.50	≡	0.3	0.5	0.8	1.0	
••	—▽													
••	—▽													